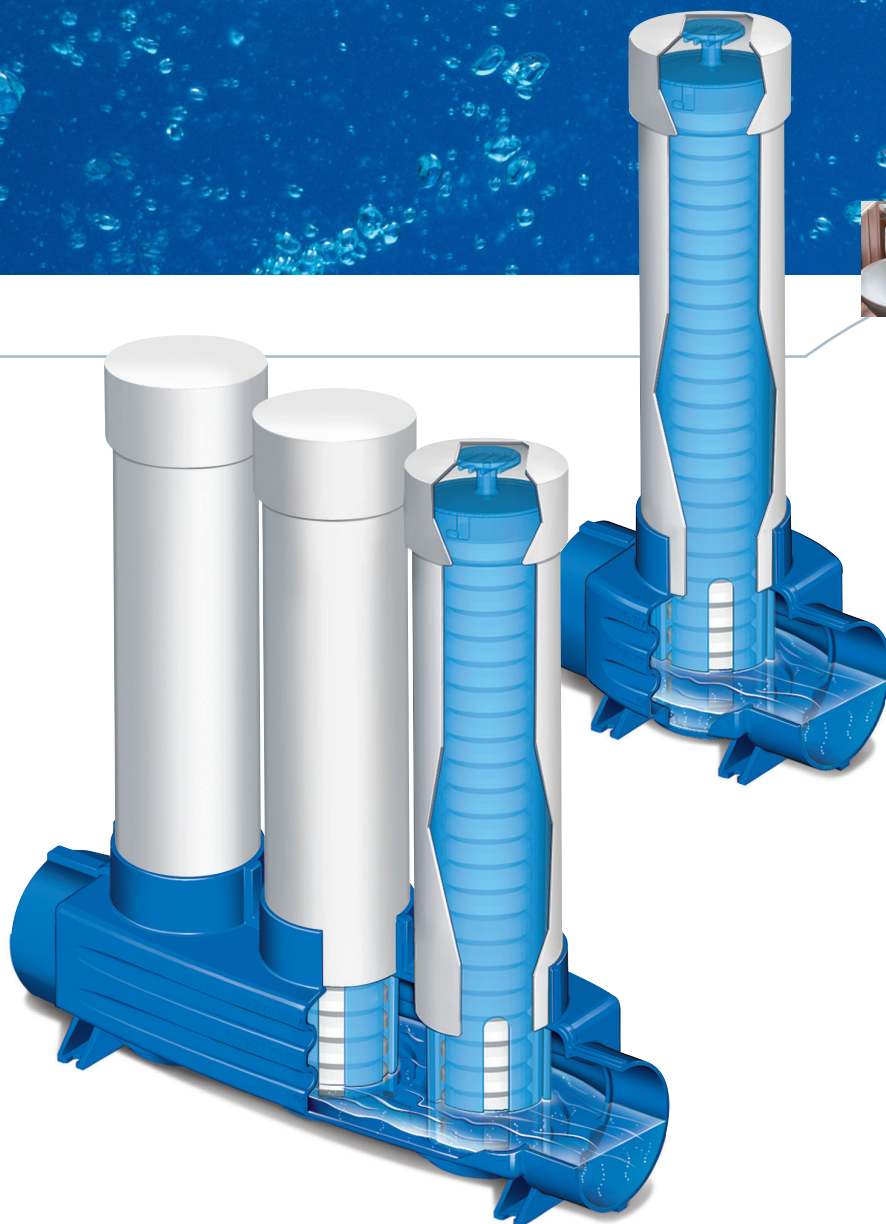


BIO-DYNAMIC[®]

DRY CHEMICAL TABLET FEEDERS
AND TABLETS



norweco[®]

*Engineering the future of water
and wastewater treatment*

A photograph of three business professionals (two men and one woman) in a meeting, looking at a document. The image is overlaid with a blue gradient and the company name.

BIO-DYNAMIC[®]

The **safe**, effective and
economical **way** to consistently
disinfect and dechlorinate
water and **wastewater**

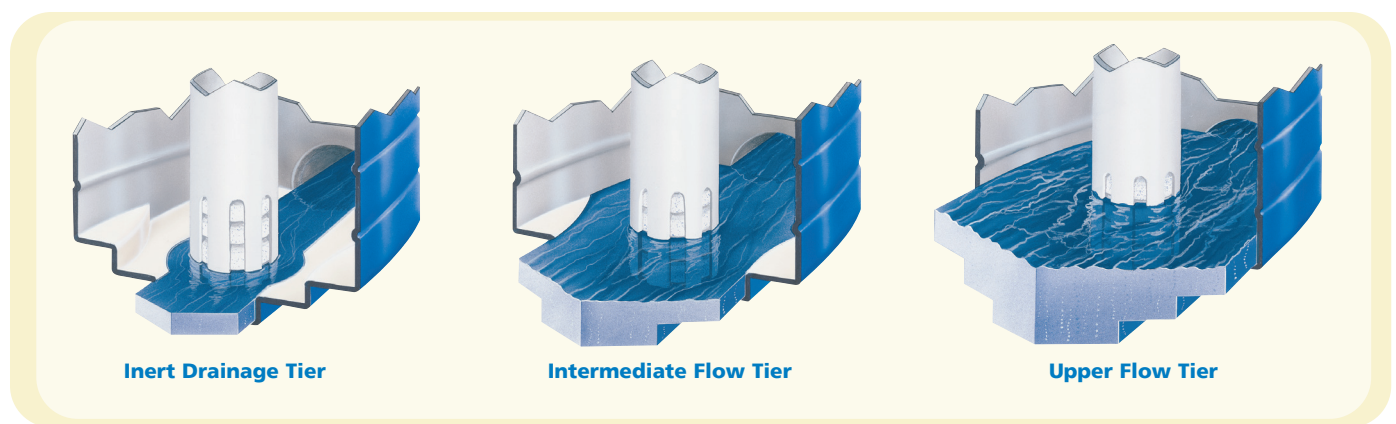
We engineered our Bio-Dynamic tablet feeders to provide effective flow proportional chlorination and dechlorination for water and wastewater treatment. Compact, easily installed and virtually indestructible, Bio-Dynamic tablet feeders contain no mechanical or failure-prone electrical components. Incorporating Norweco's exclusive multi-tiered flow deck to automatically regulate chemical delivery, Bio-Dynamic tablet feeders make traditional liquid chemical feeders and ultraviolet technology obsolete. Recommended by governmental, charitable and academic organizations world-wide, Bio-Dynamic tablet feeders reinforce Norweco's reputation for providing today's solutions for tomorrow's environment.

solutions in wastewater treatment

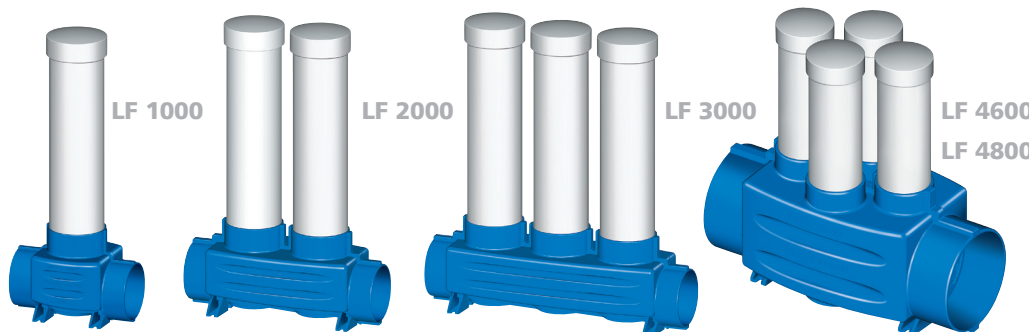
The exclusive multi-tiered flow deck delivers consistent chemical treatment, regardless of flow rate

Flow surges are common in any treatment system. This variation in flow rate can cause major problems for conventional tablet feeders and manually adjusted gas or liquid chemical feed systems. That's why we engineered a multi-tiered flow deck to enhance the fluid dynamics of the liquids passing through the system. During low flow, usually at night, liquids are directed through the inert drainage tier, the lowest tier of the feeder. It forms a narrow

hydraulic channel that increases the velocity of the flow for uniform tablet exposure. When flow increases during morning hours, the liquid flow rises to the intermediate flow tier. It creates a flume to accelerate the flow passing the tablets. When the flow rate is greater than the capacity of this intermediate tier, liquids rise to the upper flow tier. That tier causes the liquid to lose velocity, preventing excessive tablet consumption.



Compact LF Series Bio-Dynamic[®] tablet feeders provide a strong chemical dose – ideal for onsite systems.



Compact Bio-Dynamic LF Series tablet feeders provide a chemical dose that is ideal for potable water and wastewater systems subject to high organic loading. Manufactured from ABS for durability and easy installation, integral inlet and outlet hubs accept four, six or eight inch piping. LF Series feeders are typically used for residential or small commercial onsite

applications, stormwater treatment or remote potable water systems. Five different models are available to accommodate flows from 500 GPD through 400,000 GPD.

LF Series feeders range in length from 10 to 24½ inches, and 7 to 12 inches in width. The 22½ inch tall, one piece feed tubes are designed to fit inside standard 4" PVC piping, allowing all LF Series feeders to be surface installed or direct buried. For deeper installations, our optional remote feed tube removal system allows convenient feeder maintenance from grade.

The Series 2000 and Series 4000 tablet feeders provide precise chemical dosage with adjustable baffles, weirs or outlet sluice.

For flows ranging from 200 GPD through 100,000 GPD, Bio-Dynamic Series 2000 tablet feeders can treat gravity influent up to 70 GPM. 25½ inches in length, 10½ inches in width and ranging in body height from 12 inches through 48 inches, five different models of Series 2000 feeders are available for different installation conditions. Additional 24 inch risers are available for direct burial installations up to 10 feet. Choose between interchangeable weirs or Norweco's outlet sluice, for desired dosage control.

Treatment capacities from 20,000 GPD through 200,000 GPD with a maximum flow of 150 GPM, give Bio-Dynamic Series 4000 feeders the capability to treat flow from a wide range of facilities. With a length of 35¾ inches, a width of 14½ inches and body heights ranging from 12 inches through 48 inches, five different models of Series 4000 feeders are available for different installation conditions. Additional 24 inch risers are available for direct burial installations up to 10 feet. Interchangeable weirs and Norweco's adjustable outlet sluice are available to maximize your feeder's performance.



XT 2000



XT 4000



IT 2000



IT 4000



ITR 2000-S



ITR 4000-S

"Chlorine addition by tablet feeders is likely to be the most practical method for chlorine addition for onsite applications."

— USEPA Office of Research and Development,
Onsite Wastewater Treatment Systems Manual TFS-21

maximize

performance

of water and wastewater treatment

Uniquely formulated Bio-Sanitizer® Disinfecting Tablets deliver consistent and inexpensive bacteria killing power

Bio-Sanitizer disinfecting tablets are uniquely formulated to provide a consistent dose of chlorine in response to water or wastewater velocity. Containing a minimum of 70% available chlorine and produced in a convenient to use tablet form, Bio-Sanitizer enables plant operators to meet stringent disinfection standards in a safe and economical manner. Recommended for use in Norweco Bio-Dynamic tablet feeders, Bio-Sanitizer tablets will improve the performance of any type of tablet dosing system. Registered with the USEPA, the Canadian Ministry of Environment and a number of state and provincial authorities, Bio-Sanitizer tablets are packaged in easy to open 10, 25, 45 and 100 pound containers.



To remove both free and combined chlorine for water and wastewater, use our Bio-Max® Dechlorination Tablets



Bio-Gem®



Blue Crystal®

Bio-Max dechlorination tablets provide a convenient source of concentrated sodium sulfite to instantly remove chlorine from wastewater, potable water and process water. They contain 92% sodium sulfite as an active ingredient and 8% patent pending inert ingredients. Produced for use in all models of Bio-Dynamic tablet feeders, Bio-Max tablets can also be used in all major brands of gravity or pressure dosing units.



Bio-Neutralizer®



Bio-Perc®

customer focus

Norweco's technical and customer service personnel put decades of experience in wastewater treatment at your disposal. Committed to long term customer satisfaction, our support staff is always available to assist you with the use of Norweco products.



The pure facts about safe, consistent chemical application

- Bio-Dynamic tablet feeders provide effective treatment without the use of mechanical components or electrical connections.
- All Norweco tablet feeders automatically adjust chemical dose in response to changes in daily influent rates and velocity.
- By directing and controlling the velocity of the incoming flow, our exclusive multi-tiered flow deck provides consistent chemical application at sustained, variable and intermittent flow rates.
- Fall built into the floor of Bio-Dynamic feeders allows the units to drain during no flow conditions. This stabilizes the chemical dose and minimizes chemical usage.
- Inlet and outlet hubs in 4", 6" and 8" diameters simplify installation and eliminate the use of costly drop boxes and couplings.
- Bio-Dynamic tablet feeders have a much smaller footprint than any other means of disinfection or dechlorination. This will result in significant design and installation savings.
- All Norweco tablet feeders provide multiple installation options including direct burial, in-line and contact chamber mounting with aluminum mounting brackets.
- The LF Series of Bio-Dynamic tablet feeders are produced from ABS for unmatched durability and ease of installation.
- A variety of optional extension risers and accessories allow Bio-Dynamic tablet feeders to be direct buried up to 10' and still accessible and maintainable from grade, eliminating confined space entry requirements.
- Our molded one-piece ClearCheck feed tubes are extremely durable and have twist-lock caps for safe handling of tablets and dependable performance.
- In the Series 2000 and 4000 tablet feeders, chemical dose is precisely regulated by an adjustable inlet baffle, interchangeable weir plates or optional outlet sluice.
- Norweco's Bio-Sanitizer disinfecting tablets and Bio-Max dechlorination tablets maximize the performance of Bio-Dynamic feeders.
- All Bio-Dynamic tablet feeders and treatment chemicals are listed under NSF/ANSI Standard 46 and 385.
- To insure complete chemical mixing, all outflow passes through the feeder's hydrodynamic mixing chamber.
- Our tablet feeder customers are protected by a ten year limited warranty.
- Bio-Dynamic tablet feeders have the lowest initial cost of any commercially available disinfection or dechlorination system.
- All models of Bio-Dynamic tablet feeders are used for wastewater, potable water, process water and cooling tower water treatment.



Norweco distributors are located throughout the United States and much of the rest of the world. Research, product development, manufacturing, marketing and sales support are conducted inside our offices and factory in Norwalk, Ohio USA. Everyone at Norweco is committed to shaping the future of our industry.

engineering

the future

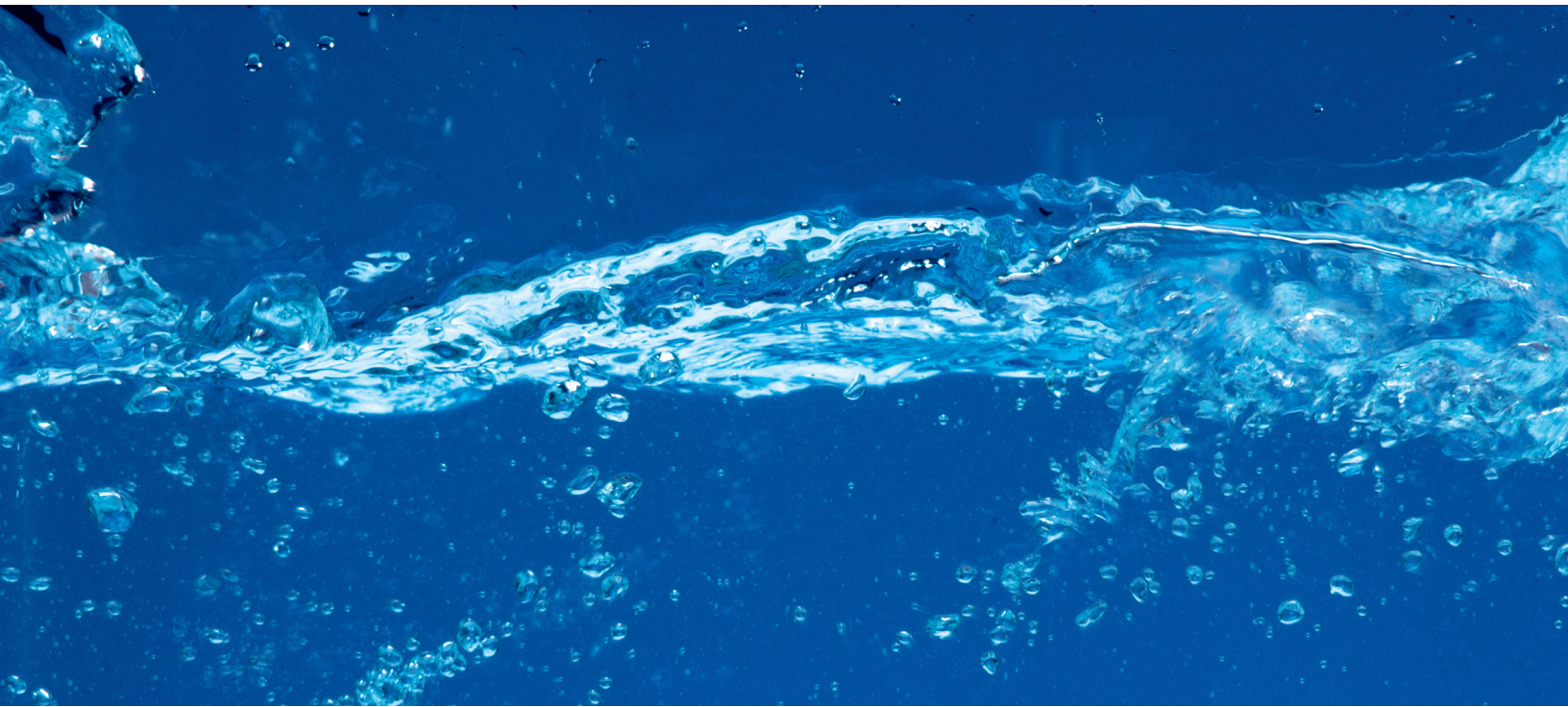
of water and wastewater treatment

Specify Norweco® Bio-Dynamic® Dry Chemical Tablet Feeders and Tablets

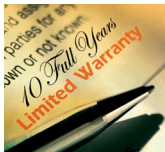
With fifteen different models of Bio-Dynamic tablet feeders available, design engineers have unprecedented flexibility in specifying a feeder ideally suited for their treatment requirements. Multiple installation options include direct burial, in-line and contact chamber mounting. Combine these options with a small unit footprint and you can see how quick and easy Norweco has made installation, even in the tightest areas.

From project inception through final plan review, procurement, installation and operation, Norweco's team of experienced engineers and customer service personnel are available to assist you with your project. Backed by an extensive library of drawings, project research and decades of hands-on experience, we focus on keeping you on schedule and under budget.

Today's Answer for the Protection of Tomorrow's Environment



comprehensive protection, guaranteed



Bio-Dynamic Tablet Feeder owners are protected from defects in material and workmanship under normal use and service for a full ten year period. A warranty registration card is included with every new tablet feeder Installation and Operation Manual.

norweco[®]

*Engineering the future of water
and wastewater treatment*

**220 Republic Street
Norwalk, Ohio, U.S.A. 44857
PH: 419.668.4471
FAX: 419.663.5440
www.norweco.com**

Progress Through Service Since 1906

We engineer, manufacture, install and maintain advanced water and wastewater treatment technologies for residential properties, communities and commercial properties that are not connected to sewer lines. Norweco treatment systems are in service all over the world.

Norweco[®], Norweco.com[®], Singulair[®], Modulair[®], Travalair[®], Singulair R3[®], Singulair Green[®], Ribbit Rivet[®], Hydro-Kinetic Bio-Film Reactor[®], Hydro-Kinetic[®], Evenair[®], Lift-Rail[®], Microsonic[®], Bio-Dynamic[®], Bio-Sanitizer[®], Bio-Neutralizer[®], Bio-Kinetic[®], Bio-Static[®], Bio-Gem[®], Bio-Max[®], Bio-Perc[®], Blue Crystal[®], Phos-4-Fade[®], Enviro-C[®], Nitro-Buster[®], ClearCheck[®], ChemCheck[®], Tri-Max[®], Hydra-Max[®], Service Pro[®], MCD[®], TNT[®], WASP[®], Grease Buster[®] and "BUSTER" logo are all registered trademarks of Norwalk Wastewater Equipment Company, Inc.